

# CROWN OPTO S2



## ITEM DESCRIPTION



In front of you – technical information of the updated Crown OPTO S2 module. Crown OPTO S2 was a really good option for illuminating middle-range depth letters and light boxes, but now it is even better. We have equipped S2 with a better LED, resulting in increased life time to L70 45 000 h, hence granting 5 years 24/7 warranty. Crown OPTO S2 – a great option for middle-range depth projects when economical, although quality solution is needed.

## APPLICATION

- Channel letters signs and light boxes
- Recommended depth 70 – 140 mm

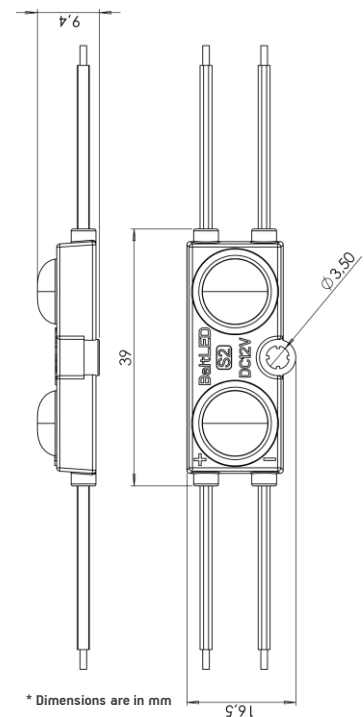
## FEATURES & BENEFITS

- Compact design
- Efficiency up to 105 lm/W
- IP67 protection class
- White, red, green and blue colours are available
- 5 year warranty

## GENERAL SPECIFICATIONS

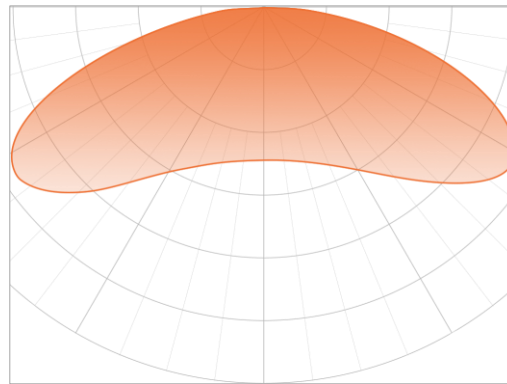
|                       |                        |
|-----------------------|------------------------|
| SUPPLY VOLTAGE        | 12 VDC                 |
| POWER                 | 1 W                    |
| RECOMMENDED DEPTH     | From 70 to 140 mm      |
| CC DISTANCE           | 240 mm                 |
| BINNING               | 3 SDCM                 |
| OPERATING TEMPERATURE | -30 °C ~ +50 °C        |
| STORAGE TEMPERATURE   | -40 °C ~ +70 °C        |
| STORAGE CONDITIONS    | Relative humidity <60% |
| LIFETIME              | L70 45,000 h           |
| WARRANTY              | 5 years (24/7)*        |

\*Warranty is applied only and if storage, mounting and maintenance conditions, stated in the installation guide, are followed.



\* Dimensions are in mm

## LIGHT DISTRIBUTION GRAPH



Beam angle: 160°

## ORDERING INFORMATION

| SKU                 | POWER, W | LUMEN OUTPUT, LM | COLOUR TEMP. | STATUS   |
|---------------------|----------|------------------|--------------|----------|
| BMP-S2-02UH160CW652 | 1        | 105              | 6500 K       | IN STOCK |

| CHAIN                         | BAG                            | BOX                             |
|-------------------------------|--------------------------------|---------------------------------|
| 40 pcs (net weight: 0.340 kg) | 120 pcs (net weight: 1.050 kg) | 1080 pcs (net weight: 9.900 kg) |