

# CROWN OPTO S3



## ITEM DESCRIPTION

In front of you – technical information of our newest addition to Crown OPTO S family – Crown OPTO S3. Observing your fascinating interest with S family we have decided to extend the product line and provide you with modules for bigger depths as well. This is how S3 has emerged. With great lumen output up to 103 lm/W, impressive distance between the modules, S3 should be considered when you want to illuminate boxes or letters of bigger depths.

## APPLICATION

- Channel letters signs and light boxes
- Recommended depth 120 – 200 mm

## FEATURES & BENEFITS

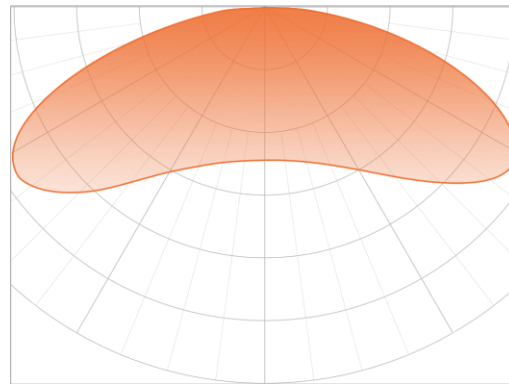
- Compact design
- Efficiency up to 103 lm/W
- IP67 protection class
- White, red, green and blue colours are available
- 5 year warranty

## GENERAL SPECIFICATIONS

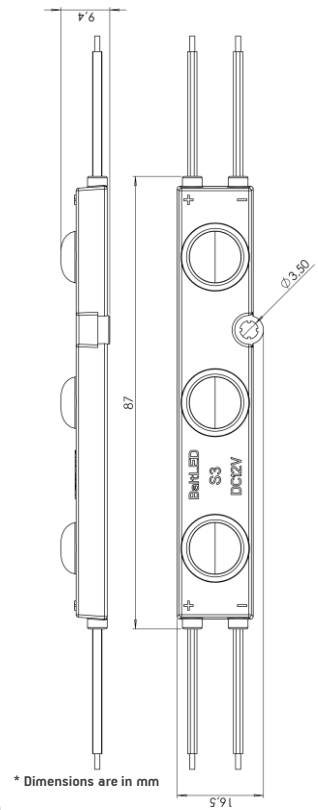
SUPPLY VOLTAGE	12 VDC
POWER	1.2 W, 1.5 W
RECOMMENDED DEPTH	From 120 to 200 mm
CC DISTANCE	340 mm
BINNING	3 SDCM
OPERATING TEMPERATURE	-30 °C ~ +50 °C
STORAGE TEMPERATURE	-40 °C ~ +70 °C
STORAGE CONDITIONS	Relative humidity <60%
LIFETIME	L70 45,000 h
WARRANTY	5 years (24/7)*

\*Warranty is applied only and if storage, mounting and maintenance conditions, stated in the installation guide, are followed.

## LIGHT DISTRIBUTION GRAPH



Beam angle: 160°



\* Dimensions are in mm

## ORDERING INFORMATION

SKU	POWER, W	LUMEN OUTPUT, LM	COLOUR	STATUS
BMP-S3-03UH160CW652	1,5	155	6500 K	IN STOCK
BMP-S3-03UH160RC	1,2	52	red	PRE-ORDER**
BMP-S3-03UH160GC	1,5	100	green	PRE-ORDER**
BMP-S3-03UH160BC	1,5	27	blue	PRE-ORDER**

\* Pre-order products will be available only with MOQ from 3000 EUR, lead time 3 – 8 weeks. For precise lead time, contact your Customer Service manager.

CHAIN	BAG	BOX
25 pcs (net weight: 0.385 kg)	75 pcs (net weight: 1.170 kg)	675 pcs (net weight: 11.000 kg)