

# CROWN OPTO X3



## ITEM DESCRIPTION

With Crown OPTO X3 we introduce a new member for Crown OPTO family for one-sided signs. Designed for depths ranging from 140 to 250 mm, these modules also enable you to reduce installation time and save up on module quantity. As they can be installed with 320 mm step, you need 20% less modules for 1 m<sup>2</sup> than with previous solutions. Powered by Philips Lumiled, they show extreme endurance at harsh working conditions (IP67) and have 7 year warranty with L70 for 80,000 hours.

## APPLICATION

- One-sided signs and light boxes
- Recommended depth 140 – 250 mm
- Red, green and blue colours available

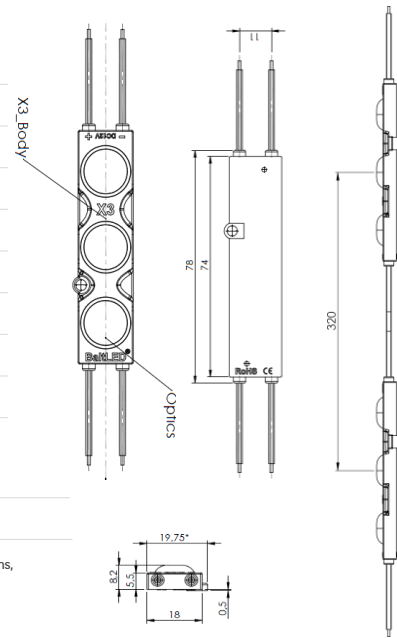
## FEATURES & BENEFITS

- Powered by Philips Lumiled
- CRI > 83
- Extreme environment and conditions housing
- Easy and fast installation cables
- Made in Europe
- IP67 protection class
- 7 year warranty

## GENERAL SPECIFICATIONS

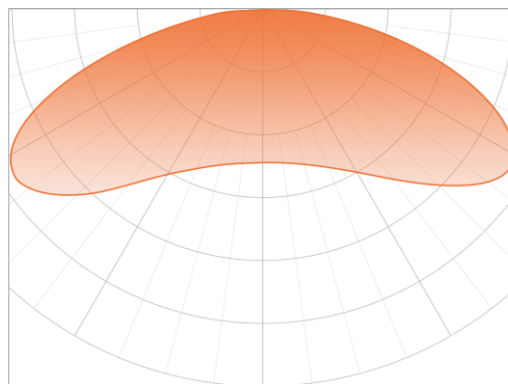
SUPPLY VOLTAGE	12 VDC
POWER	1.2 ; 1.5 W
RECOMMENDED DEPTH	From 140 to 250 mm
CC DISTANCE	320 mm
BINNING	3 SDCM
OPERATING TEMPERATURE	-40 °C ~ +60 °C
STORAGE TEMPERATURE	+5 °C ~ +35 °C
STORAGE CONDITIONS	Relative humidity <60%
LIFETIME	L70 80,000 h (white) L70 60,000 h (other)
WARRANTY	7 years*

\*Warranty is applied only and if storage, mounting and maintenance conditions, stated in the installation guide, are followed.



\* Dimensions are in mm

## LIGHT DISTRIBUTION GRAPH



Beam angle: 160°

## ORDERING INFORMATION

SKU	POWER, W	LUMEN OUTPUT, LM	COLOUR	STATUS
BMP-X3.2-03UH160CW65NS	1,5	152	6500 K	IN STOCK
BMP-X3.2-03UH160NW40NS	1,5	152	4000 K	PRE-ORDER*
BMP-X3.2-03UH160WW30NS	1,5	137	3000 K	PRE-ORDER*
BMP-X3.2-03UH160RC	1,2	51	red	PRE-ORDER*
BMP-X3.2-03UH160GC	1,5	105	green	PRE-ORDER*
BMP-X3.2-03UH160BC	1,5	27	blue	PRE-ORDER*

\* Pre-order products will be available only with MOQ from 3000 EUR, lead time 3 – 8 weeks. For precise lead time, contact your Customer Service manager.

CHAIN	BAG	BOX
30 pcs (net weight: 0.57 kg)	90 pcs (net weight: 1.76 kg)	540 pcs (net weight: 10.8 kg)