

CROWN OPTO S4

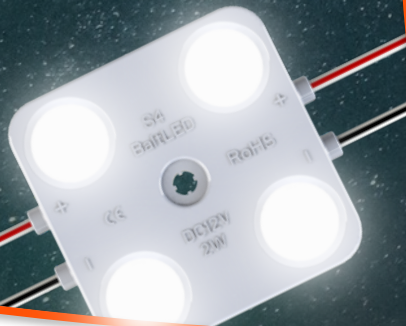
In front of you – technical information of our newest addition to Crown OPTO S family – Crown OPTO S4. Observing your fascinating interest with S family we have decided to extend the product line and provide you with modules for bigger depths as well. This is how S3 and S4 has emerged. With great lumen output up to 105 lm/W, impressive distance between the modules, S4 should be considered when you want to illuminate boxes or letters of bigger depths and need more brightness.

Application

- Channel letters signs and light boxes
- Recommended depth 120 – 200 mm

Features & benefits

- Efficiency up to 105 lm/W
- IP67 protection class
- White, red, green and blue colours are available
- 5 year warranty



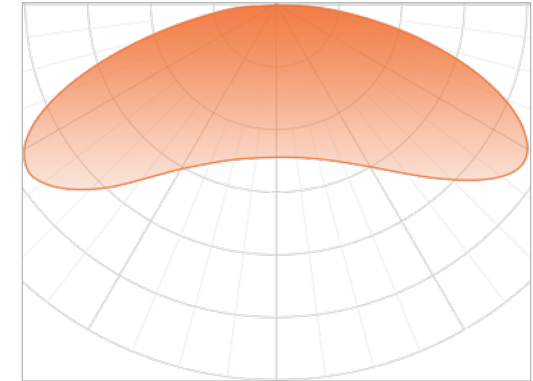
CROWN OPTO S4 technical information

General specifications

| | |
|------------------------------|------------------------|
| Supply voltage | 12 VDC |
| Power | 1.6; 2 W |
| Recommended depth | From 120 to 200 mm |
| CC distance | 340 mm |
| Binning | 3 SDCM |
| Operating temperature | -30 °C ~ +50 °C |
| Storage temperature | -40 °C ~ +70 °C |
| Storage conditions | Relative humidity <60% |
| Certification | CE and RoHS compliant |
| IP class | IP66 |
| Lifetime | L70 45,000 h |
| Warranty | 5 years (24/7)* |

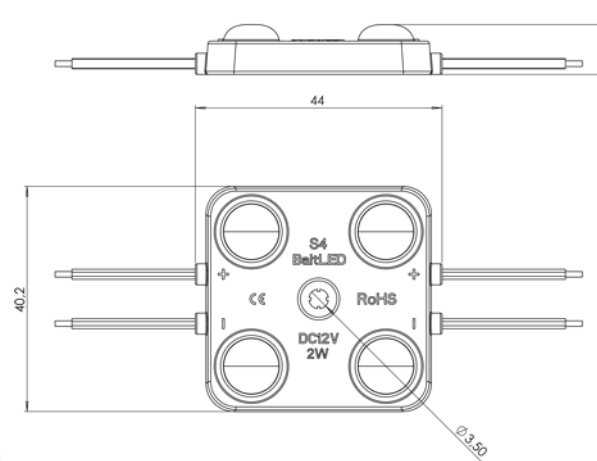
* Warranty is applied only and if storage, mounting and maintenance conditions, stated in the installation guide, are followed.

Light distribution graph



Beam angle: 160°

Dimensions



Ordering information

| SKU | Luminous flux, lm | Colour temp., K | Power, W |
|---------------------|-------------------|-----------------|----------|
| BMP-S4-O4UH160CW651 | 210 | 6600 | 2 |
| BMP-S4-O4UH160CW652 | 210 | 6500 | 2 |
| BMP-S4-O4UH160RC | 69 | 624 – 626 | 1.6 |
| BMP-S4-O4UH160GC | 134 | 473 – 475 | 2 |
| BMP-S4-O4UH160BC | 36 | 535 – 538 | 2 |

Ordering quantity

| | |
|---------------|-------------------------|
| Chain: 20 pcs | (net weight: 0.480 kg) |
| Bag: 80 pcs | (net weight: 1.930 kg) |
| Box: 480 pcs | (net weight: 12.080 kg) |