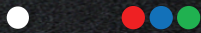


MINI 3

Ideal solution for extremely narrow segments of illuminated signs and small channel letters. Also great choice for elements of complex shape. Cost-effective solution with enhanced brightness for channel letters and light boxes with a depth of 60 - 120 mm.

Various color solutions available 6500K



Specially designed for:

- Narrow segments of illuminated signs
- Elements of complex shape
- Recommended installation depth 60 - 120 mm

Features:

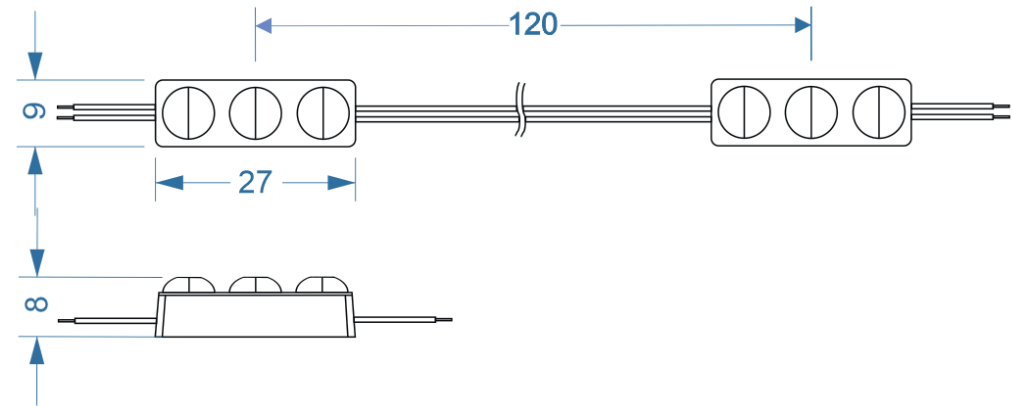
- Small dimensions - only 27 mm x 9 mm x 8 mm - fits into very thin and narrow channel letters
- For 80 mm depth the distance between centers of modules is 120 mm
- Maximum Tj temperature <80 °C
- LM80 international certificate for LEDs
- HB fire protection level
- Protection level of IP66
- Light decay < 30% after 45,000 hrs
- 5 years warranty



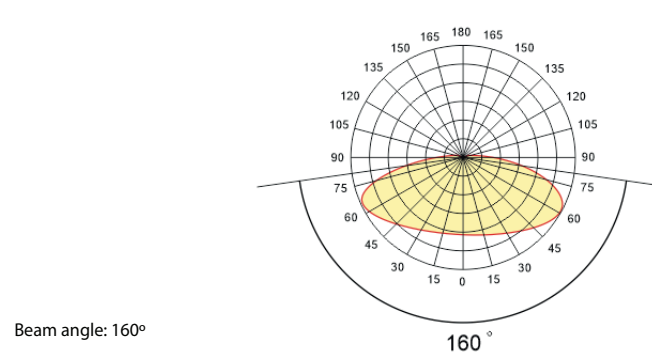
www.kaisenelectric.com



Dimensions



Light distribution graph



Technical information

Colors available:	○
Power	0,7 W
Light output	73 lm
LED type	2835
Input	12VDC
Color temperature	○ 6500 K
Beam angle	160°
Protection level	IP 66
Working temperature	-30 +50 °C

Packing information

Packing type	Chain	Package	Box
Quantity	30 pcs	150 pcs	6000 pcs
Weight	0,1 kg	0,47kg	18,9kg

Illumination table

Installation depth	Illuminance	Distance between centers	Quantity per 1 sq m	Power per 1 sq m
60 mm	3600 lux	90 mm	121 pcs	85 W
80 mm	2700 lux	120 mm	64 pcs	45 W
100 mm	2600 lux	120 mm	64 pcs	45 W
120 mm	2500 lux	120 mm	64 pcs	45 W

