

TELELINE T0

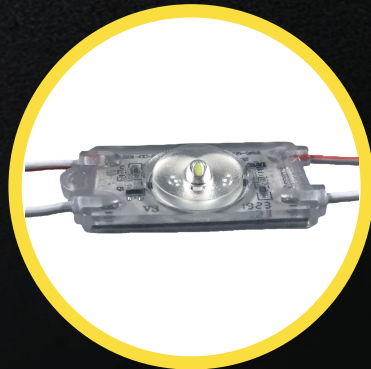
New generation of innovative solution for slim light boxes with a depth of 40-70mm.
 Due to professional optics only 50 modules per square meter is enough for the uniform illumination.
 Starting from the depth of 50 mm a distance between centers of modules - 140 mm.
 At least 50% LESS modules and consumed power per square meter.
 Equipped with new generation of high efficiency 3030 LED chip
 White color option available: 6500K

Specially designed for:

- Slim light boxes
- Recommended installation depth 40-70 mm

Features:

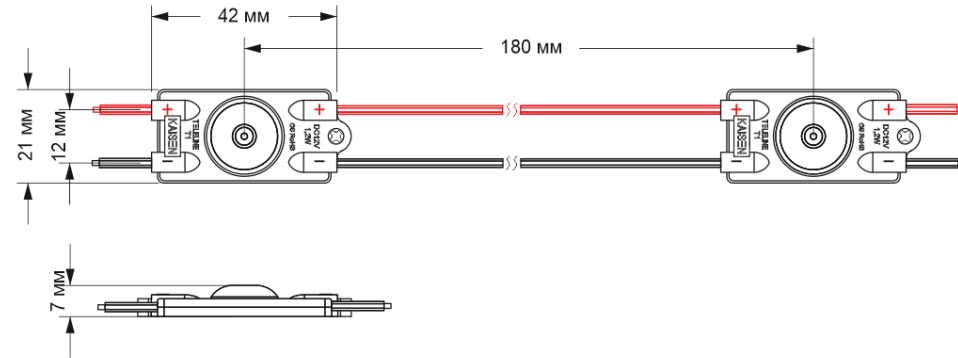
- The smallest quantity of modules per square meter on the market !
- Power consumption is only 25 W per square meter.
- System efficiency up to 110 lm/W
- Maximum Tj temperature <80 °C
- LM80 international certificate for LEDs
- IC current stabilization inside
- Aluminium PCB and special thermal tape
- High protection level of IP67
- Fire protection level - V2
- Light decay < 30% after 60,000 hrs
- CRI > 82
- 5 years warranty



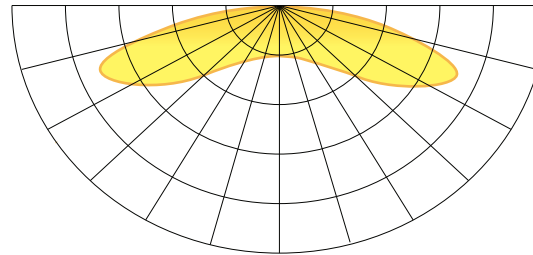
www.kaisenelectric.com



Dimensions



Light distribution graph



Beam angle: 175°



KAISEN

Technical information

| | |
|---------------------|------------------------------|
| Colors available : | <input type="radio"/> |
| Power | 0.5 W |
| Light output | 55 lm |
| LED type | 3030 |
| Input | 12VDC |
| Color temperature | <input type="radio"/> 6500 K |
| Beam angle | 175° |
| Protection level | IP 67 |
| Working temperature | -30 +50 °C |

Packing information

| Packing type | Chain | Package | Box |
|--------------|---------|---------|----------|
| Quantity | 20 pcs | 200 pcs | 2400 pcs |
| Weight | 0.17 kg | 1.7 kg | 21.8 kg |

Illumination table

| Installation depth | Distance between centers | Quantity per 1 sq m | Power per 1 sq m |
|--------------------|--------------------------|---------------------|------------------|
| 40 mm | 100 mm | 100 pcs | 50 W |
| 50 mm | 140 mm | 50 pcs | 25 W |
| 60 mm | 140 mm | 50 pcs | 25 W |
| 70 mm | 140 mm | 50 pcs | 25 W |