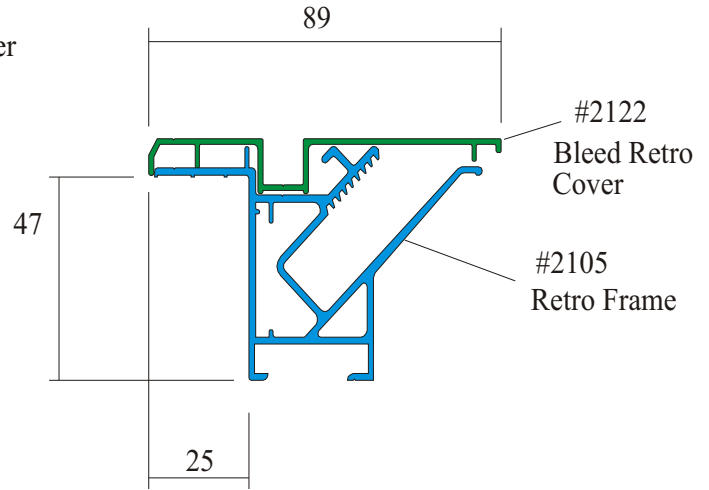
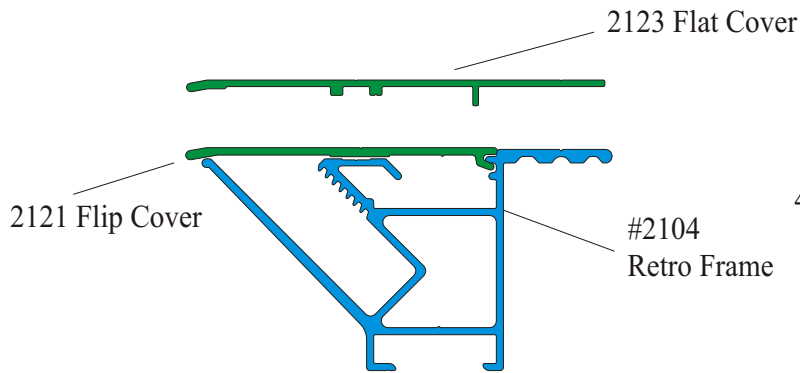


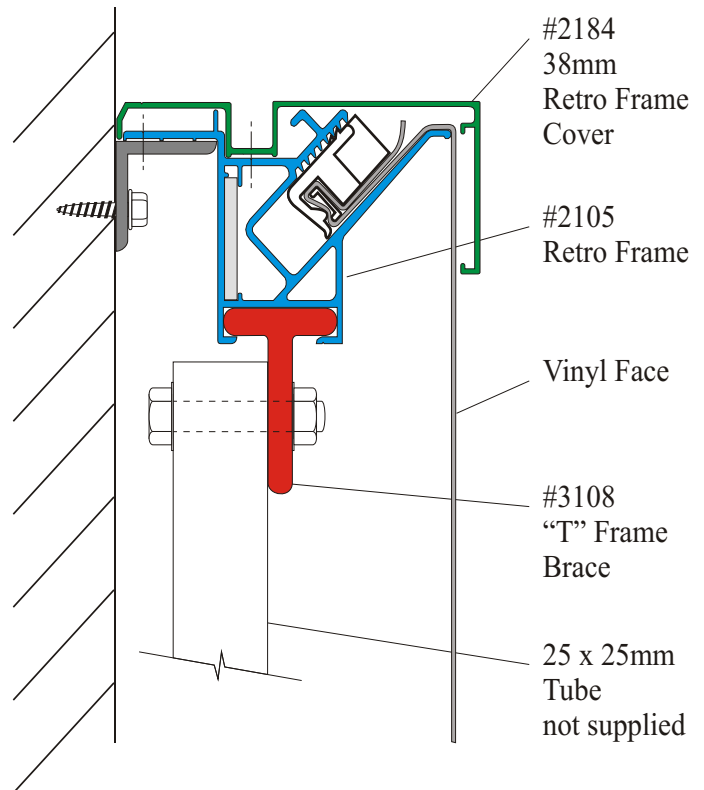
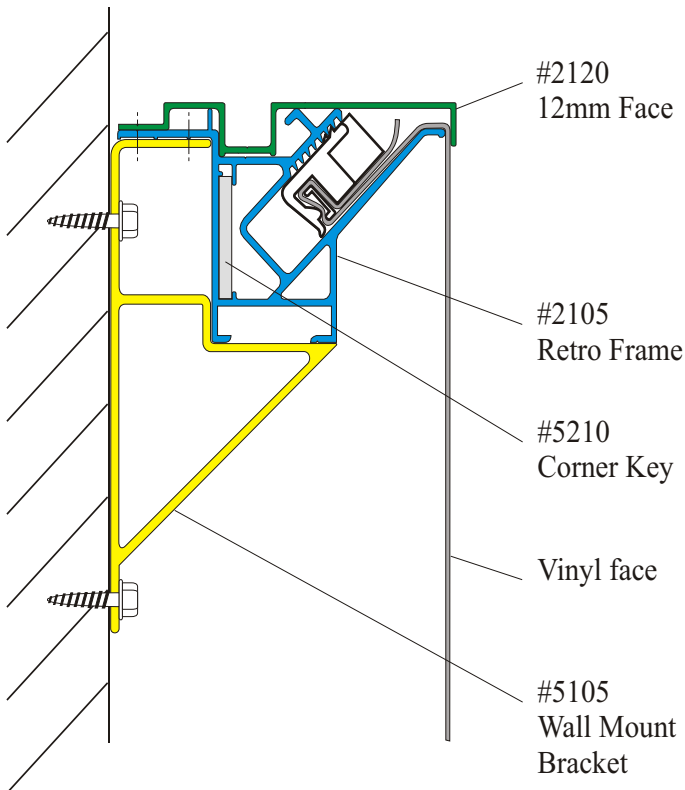
Retro Frames #2104 & #2105 & Covers

Non illuminated assemblies & sizes



Assembly using #5105 Wall Mount Bracket

Assembly using #3108 "T" Frame Brace



Place the #5105 Wall Mount Bracket or the #3108 "T" Frame Brace on maximum 1000mm centres.
Where frames join, a #5105 Wall Mount Bracket should be placed each side of the frame joint.
(For signs of more than 4000mm in height, reduce spacing to 600mm)

Vinyl cutting sizes

Add 150mm to the overall length and width of the finished frame.
i.e. For a frame that measures 2000 x 1000mm,
the vinyl should be cut at 2150 x 1150mm.