

SNOW MINI S12



ITEM DESCRIPTION



With SNOW MINI S12 we enable fast and cost-effective illumination of small depth narrow letters. Illuminates sharp edges.

APPLICATION

- Small depth narrow letters
- Recommended depth 40 – 75 mm

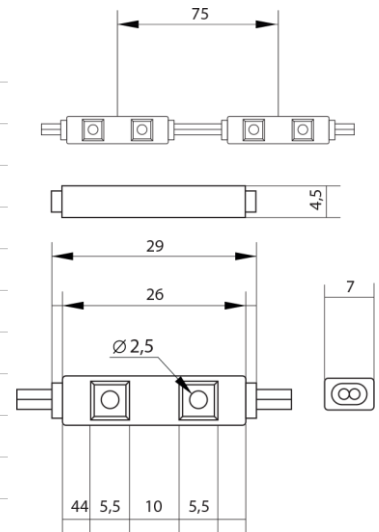
FEATURES & BENEFITS

- Extremely small size of only 7 mm width, 29 mm length
- Helps to illuminate tight corners
- IP66 protection class
- 3 year warranty

GENERAL SPECIFICATIONS

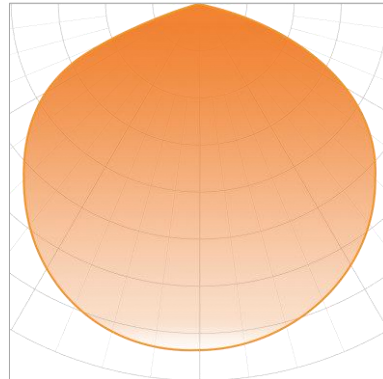
| | |
|-----------------------|------------------------|
| SUPPLY VOLTAGE | 12 VDC |
| POWER | 0.3 W |
| CCT | 6900 – 7400 K |
| RECOMMENDED DEPTH | From 40 to 75 mm |
| CC DISTANCE | 75 mm |
| OPERATING TEMPERATURE | -35 °C ~ +50 °C |
| STORAGE TEMPERATURE | -40 °C ~ +90 °C |
| STORAGE CONDITIONS | Relative humidity <60% |
| LIFETIME | L70 25,000 h |
| WARRANTY | 3 years* |

*Warranty is applied only and if storage, mounting and maintenance conditions, stated in the installation guide, are followed.



* Dimensions are in mm

LIGHT DISTRIBUTION GRAPH



Beam angle: 120°

ORDERING INFORMATION

| PRODUCT NAME | POWER | LUMEN OUTPUT, LM | COLOUR | STATUS |
|-------------------|-------|------------------|--------|----------|
| BMS-S12-02UB120W1 | 0.3 | 14.5 | 7000 K | IN STOCK |

| CHAIN | BAG | BOX |
|-------------------------------|--------------------------------|---------------------------------|
| 30 pcs (net weight: 0.053 kg) | 300 pcs (net weight: 0.538 kg) | 4500 pcs (net weight: 8.700 kg) |